

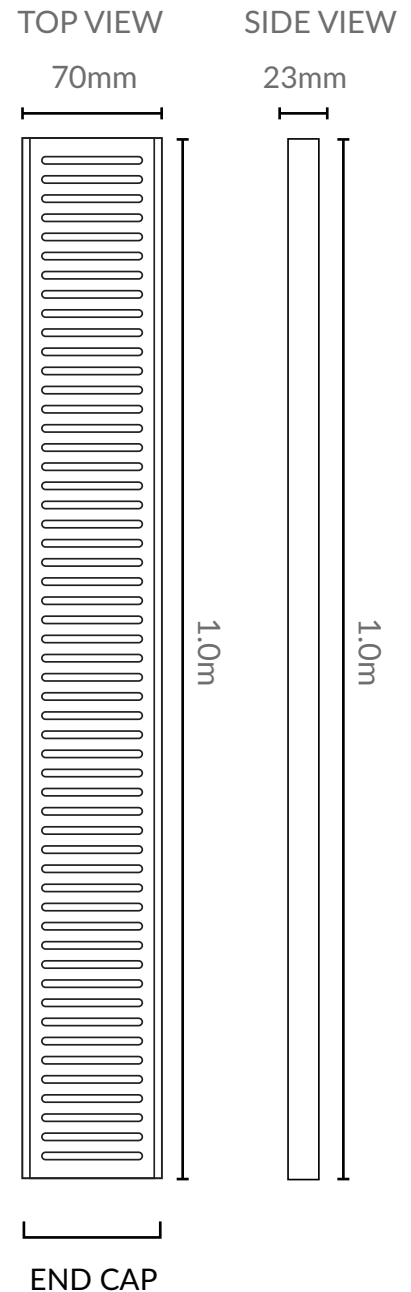
STANDARD GRATES

TABLE OF CONTENTS

SFG23 - 23mm depth - 1000mm length	2
SFG23 - 23mm depth - 1600mm length	3
SFG23 - 23mm depth - 2000mm length	4
SFG23 - 23mm depth - 3000mm length	5
SFG23 - 23mm depth - 5600mm length	6

PRODUCT SPECIFICATIONS

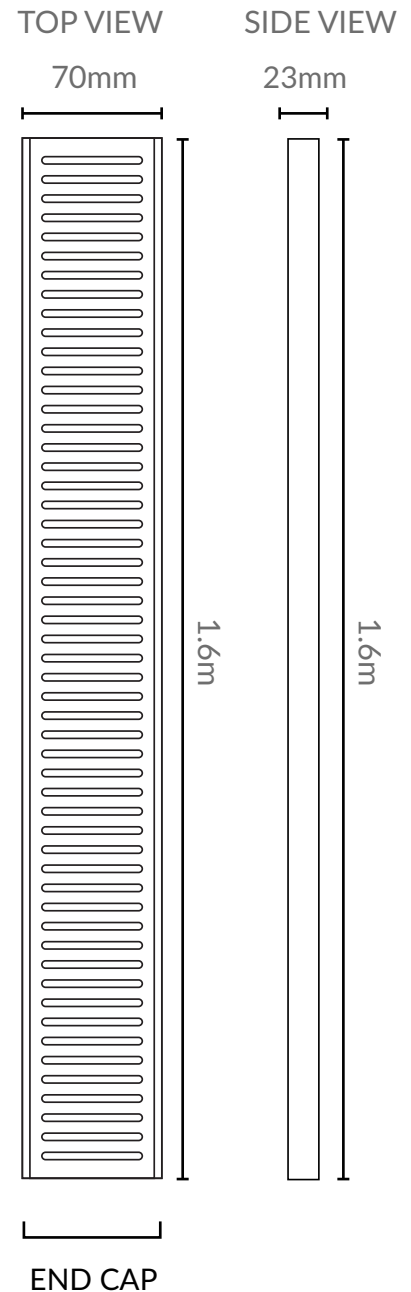
Product	Standard Floor Grate (SFG23)
Code	SFG23-S-1, SFG23-M-1
Colours Available	Silver, Midnight
Length	1000mm
Width	70mm
Depth	23mm
Material	Anodised Aluminium
Weight	1.4kg
Applications	Indoor and Outdoor
Features	<ul style="list-style-type: none"> • Customisable lengths when cut with a drop saw • Joiners available for easy extension • Lifetime Rustproof Warranty • UV Stable
Scope of Use	DN50 40mm and 50mm
Load Rating	Class B - Maximum Load at 10.2 tons



* Regular, gentle cleaning with soapy water is recommended. Do not use abrasive cloths or acidic chemicals on the grates.

PRODUCT SPECIFICATIONS

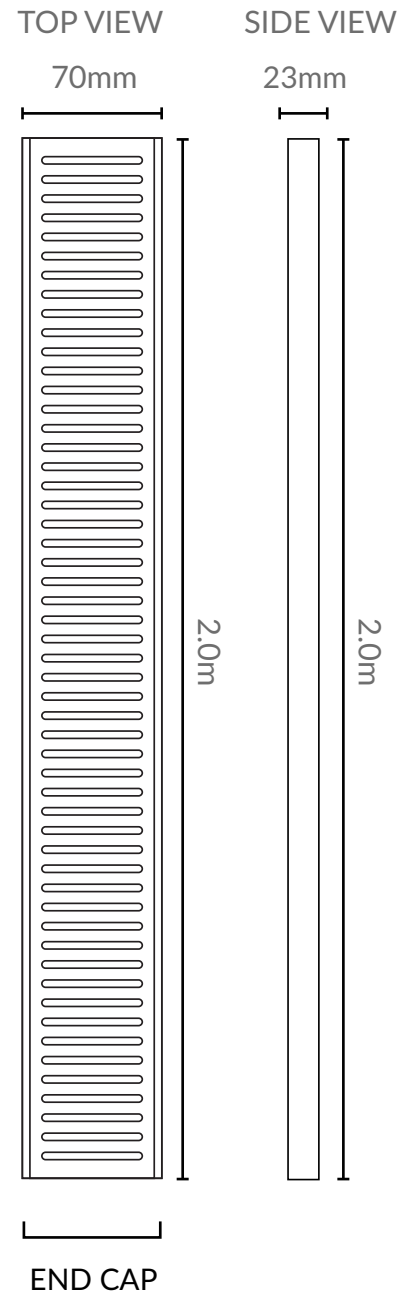
Product	Standard Floor Grate (SFG23)
Code	SFG23-S-1.6, SFG23-M-1.6
Colours Available	Silver, Midnight
Length	1600mm
Width	70mm
Depth	23mm
Material	Anodised Aluminium
Weight	2.2kg
Applications	Indoor and Outdoor
Features	<ul style="list-style-type: none"> • Customisable lengths when cut with a drop saw • Joiners available for easy extension • Lifetime Rustproof Warranty • UV Stable
Scope of Use	DN50 40mm and 50mm
Load Rating	Class B - Maximum Load at 10.2 tons



* Regular, gentle cleaning with soapy water is recommended. Do not use abrasive cloths or acidic chemicals on the grates.

PRODUCT SPECIFICATIONS

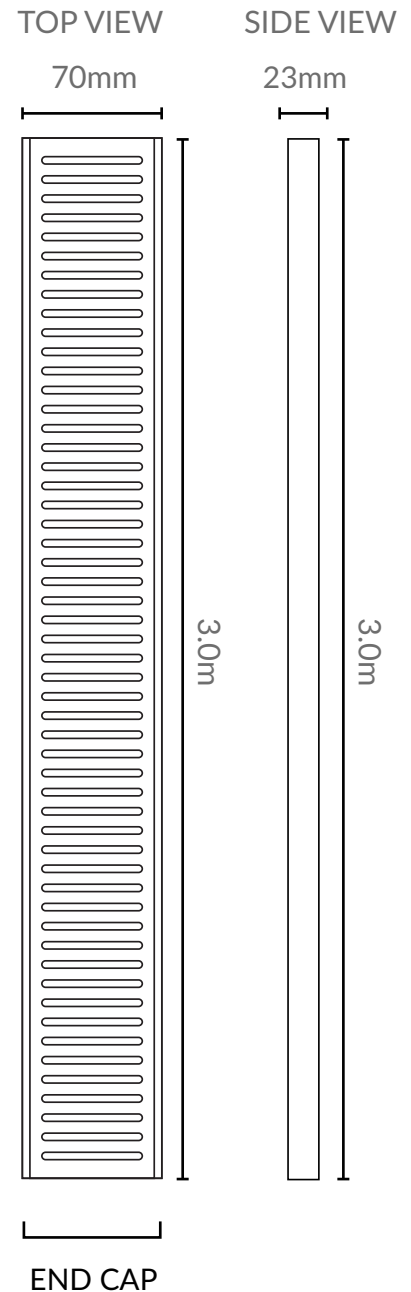
Product	Standard Floor Grate (SFG23)
Code	SFG23-S-2, SFG23-M-2
Colours Available	Silver, Midnight
Length	2000mm
Width	70mm
Depth	23mm
Material	Anodised Aluminium
Weight	2.8kg
Applications	Indoor and Outdoor
Features	<ul style="list-style-type: none"> • Customisable lengths when cut with a drop saw • Joiners available for easy extension • Lifetime Rustproof Warranty • UV Stable
Scope of Use	DN50 40mm and 50mm
Load Rating	Class B - Maximum Load at 10.2 tons



* Regular, gentle cleaning with soapy water is recommended. Do not use abrasive cloths or acidic chemicals on the grates.

PRODUCT SPECIFICATIONS

Product	Standard Floor Grate (SFG23)
Code	SFG23-S-3, SFG23-M-3
Colours Available	Silver, Midnight
Length	3000mm
Width	70mm
Depth	23mm
Material	Anodised Aluminium
Weight	4.1kg
Applications	Indoor and Outdoor
Features	<ul style="list-style-type: none"> • Customisable lengths when cut with a drop saw • Joiners available for easy extension • Lifetime Rustproof Warranty • UV Stable
Scope of Use	DN50 40mm and 50mm
Load Rating	Class B - Maximum Load at 10.2 tons

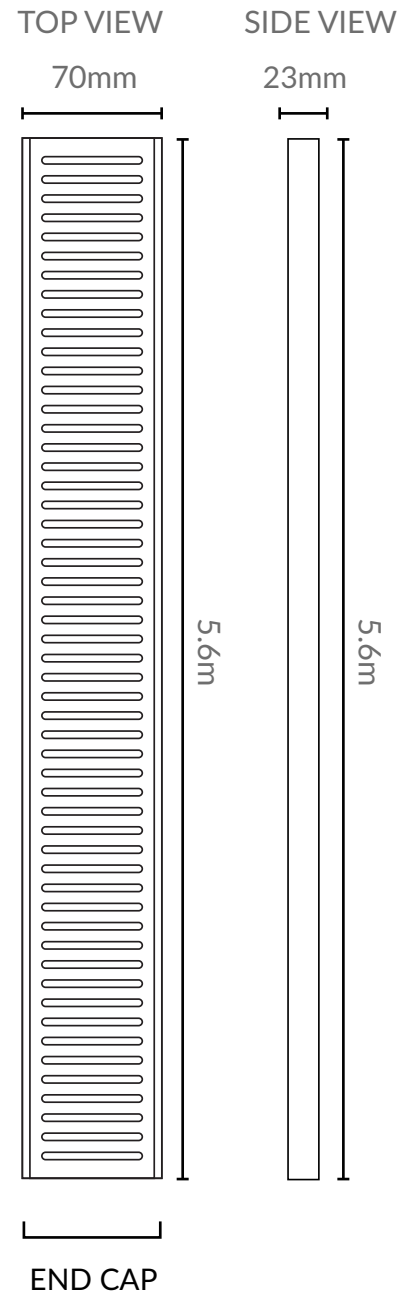


- * Total length of full grate is 3.2m, total usable length is 3m to allow for any wastage during the anodising process.
- * Regular, gentle cleaning with soapy water is recommended. Do not use abrasive cloths or acidic chemicals on the grates.

Warranty information and Care & Maintenance can be found at www.lauxesgrates.com.au

PRODUCT SPECIFICATIONS

Product	Standard Floor Grate (SFG23)
Code	SFG23-S-5.6, SFG23-M-5.6
Colours Available	Silver, Midnight
Length	5600mm
Width	70mm
Depth	23mm
Material	Anodised Aluminium
Weight	8.0kg
Applications	Indoor and Outdoor
Features	<ul style="list-style-type: none"> • Easy cleaning and maintenance • Joiners available for easy extension • Lifetime Rustproof Warranty • UV Stable
Scope of Use	DN50 40mm and 50mm
Load Rating	Class B - Maximum Load at 10.2 tons



* Total length of full grate is 5.8m, total usable length is 5.6m to allow for any wastage during the anodising process.

* Regular, gentle cleaning with soapy water is recommended. Do not use abrasive cloths or acidic chemicals on the grates.