

# SQUARE BERMUDA MEGAFLEX™ 100x100mm 100mm OUTLET

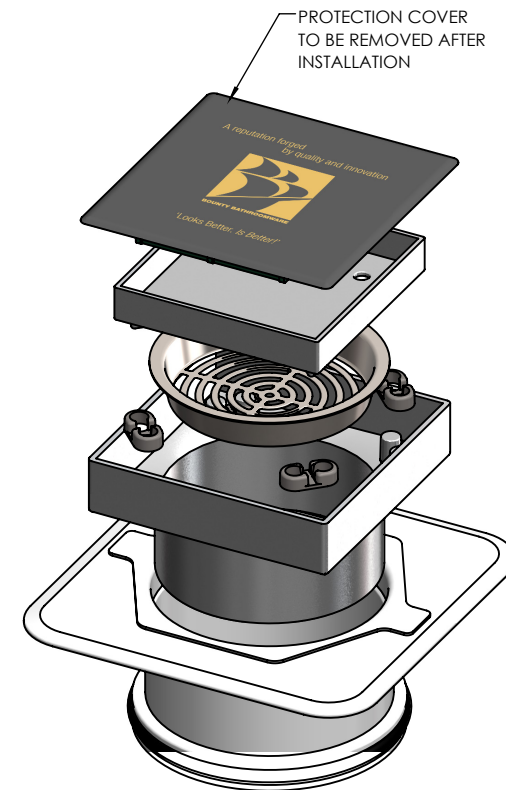
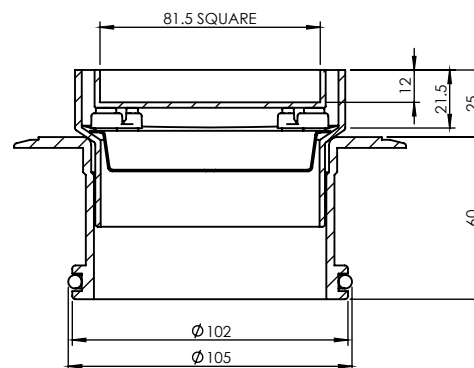
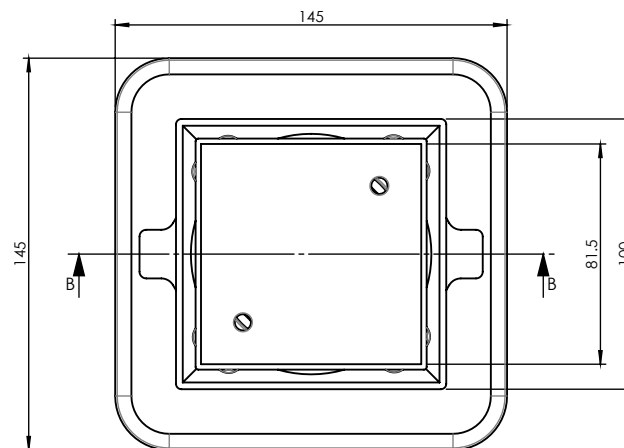
FLOOR WASTES

- ✓ Solid brass construction
- ✓ With ABS megaflex™ base
- ✓ Protective cover for Installation, Sound Dampeners as standard
- ✓ Stainless steel strainer included

CODE	OUTLET SIZE	FINISH	CTN QTY
11203.01	100mm	Chrome	20

This product is tested to deliver a maximum flow rate of 50 litres per minute, with a 5mm head of water and a fall to the waste of no less than 1:80.

Please note that a range of installation variables can effect this flow rate, including aerated shower heads, drainage design, floor texture, etc.



### Available Finishes



Note: .04 Polished Brass (Raw/Living Finish)